

Z1187-SI SAND INTERCEPTOR

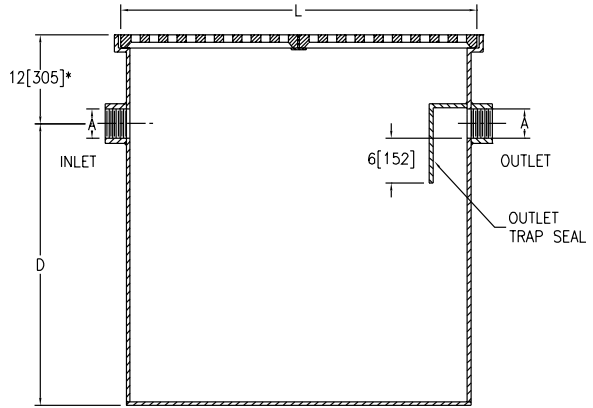


ENGINEERING SPECIFICATION

Zurn Z1187-SI sand interceptor features acid resistant coated interior and fabricated steel exterior with threaded inlet and outlet complete with removable, heavy-duty grates.

NOTES

1. Location of outlet from bottom of interceptor cannot be changed.
2. Standard grating is for heavy-duty applications. The -SC option is for a heavy-duty cover.



*12[305] REGULARLY FURNISHED—
 SPECIFY DIMENSION IF HIGHER
 OR LOWER IS REQUIRED

PREFIXES	DESCRIPTION	SIZE	LIST PRICE
Z1187-SI*	Acid Resistant Coated Fabricated Steel	20	13,821.00
		50	23,427.00
		150	70,817.00
		250	73,697.00
		500	POA

SUFFIXES	DESCRIPTION	ADD		
		SIZE	EA. ADDITIONAL 1" OVER 6"	UP TO 6"
-E	Integral extension assembly. (Specify extension height.)	20	148.00	838.00
		50	184.00	1,303.00
		150	343.00	2,292.00
		250	440.00	3,500.00
		500	594.00	5,944.00

		SIZE	ADD
-DG	Duresist grate		POA
-K	Anchor flange 1-3/4" down from top and 2" wide.		POA
-KC	Anchor flange 1-3/4" down from top and 2" wide with clamp collar.		POA
-NH	No-hub inlet and outlet (see Z1040)		N/C
-SC	Heavy-duty reinforced cover(s) rated at 10,000 lbs. maximum safe live load.	20	2,638.00
		50	5,271.00
		150	10,547.00
		250	15,840.00
		500	26,409.00
-VP	Vandal-proof screws		165.00

BEST SELLERS		LIST PRICE
Z1187-SI-20-4IP		13,821.00
Z1187-SI-20-4IP-SC		16,459.00
Z1187-SI-50-4IP		23,427.00

Size	Flow gpm [LPM] (Max.)	A Pipe Size inch [mm]	L inch [mm]	D inch [mm]	Capacity Gal. [L] (Static)	No. of 12" x 24" Grates	Width inch [mm]	Approximate Weight lb [kg]
20	20 [76]	4 [102]	24 [610]	26 [660]	60 [227]	2	24 [610]	133 [60]
50	50 [189]		48 [1219]		120 [454]	4		204 [93]
150	150 [568]	6 [152]	72 [1829]	39 [991]	360 [1363]	8	48 [1219]	368 [167]
250	250 [946]				540 [2044]	12		1294 [587]
500	500 [1893]				1200 [4542]	20		2204 [1000]